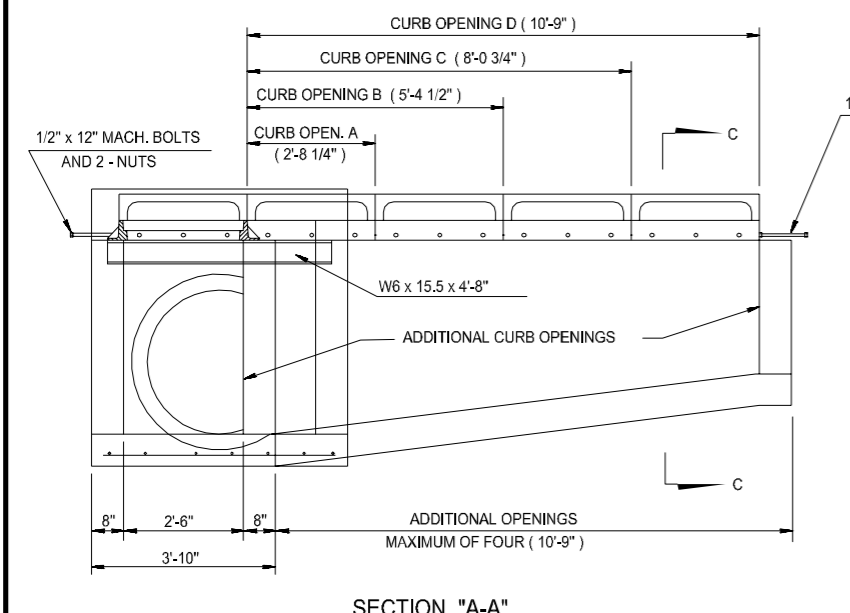
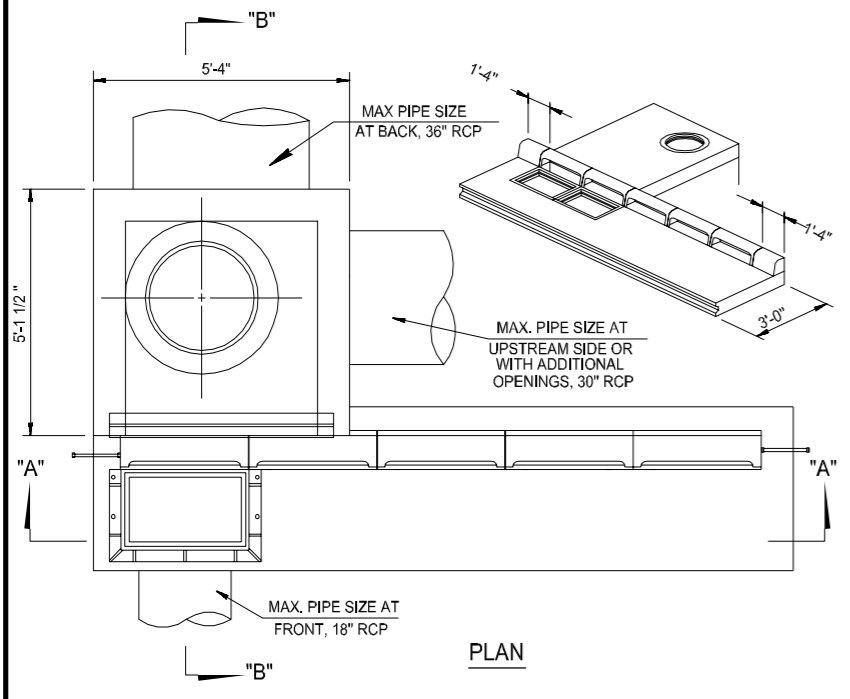
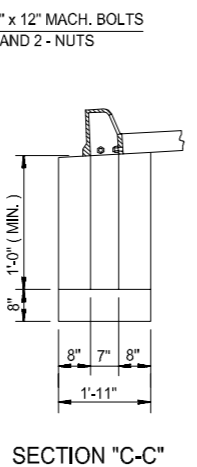
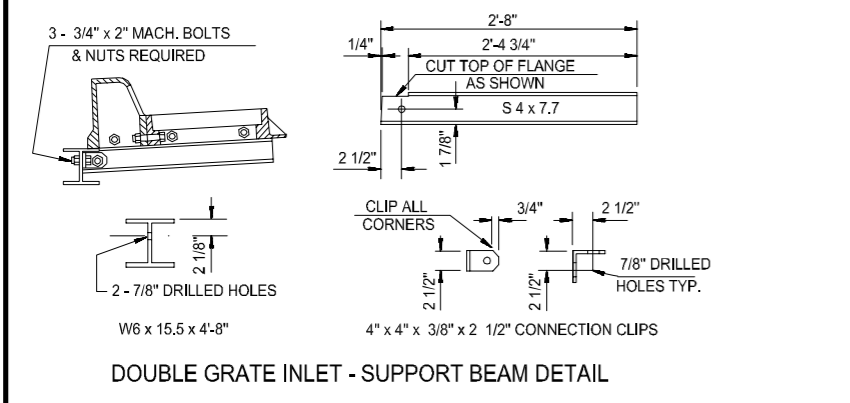


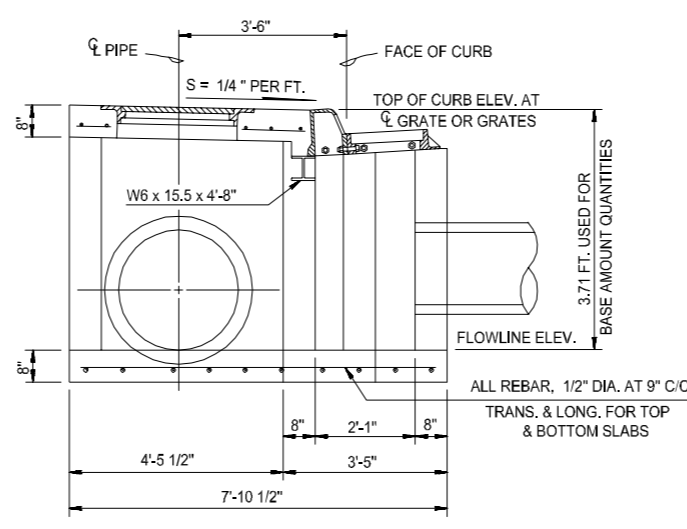
QUANTITIES FOR INLETS							
INLET DESIGN	CURB OPENING DESIGNATION	CLASS "A" CONCRETE CU. YD.	INLET		INLET FRAME & GRATE EACH	CAST IRON CURB INLET EACH	MH FRAME & COVER EACH
			BASE AMT.	ADD'L. C.F. PER VERT. FT.			
1 WITH SMALL JUNCT. BOX	"A"	1.50	43.56	15.84	1	1	1
	"B"	1.60	47.34	17.43	1	2	1
	"C"	1.73	55.44	21.03	1	3	1
	"D"	1.86	62.26	24.63	1	4	1
2 WITH SMALL JUNCT. BOX	"A"	1.70	47.84	17.40	2	2	1
	"B"	1.83	57.01	21.00	2	3	1
	"C"	1.96	64.86	24.60	2	4	1
	"D"	2.08	71.70	28.20	2	5	1
1 WITH LARGE JUNCT. BOX	"A"	2.11	50.44	18.34	1	1	1
	"B"	2.21	54.22	19.93	1	2	1
	"C"	2.34	62.32	23.53	1	3	1
	"D"	2.47	69.14	27.13	1	4	1
2 WITH LARGE JUNCT. BOX	"A"	2.60	74.91	30.73	1	5	1
	"A"	2.31	54.72	19.90	2	2	1
	"B"	2.43	63.89	23.50	2	3	1
	"C"	2.57	71.74	27.10	2	4	1
	"C"	2.69	78.58	30.70	2	5	1
	"D"	2.82	84.16	34.30	2	6	1



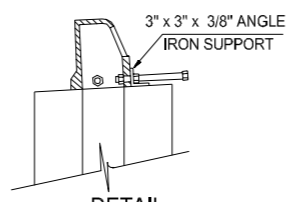
SINGLE GRATE CURB INLET WITH JUNCTION BOX
(DESIGN 1-D W/ SMALL JUNCTION BOX SHOWN)



SECTION "C-C"

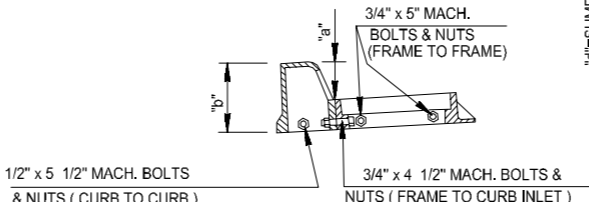


SECTION "B-B"



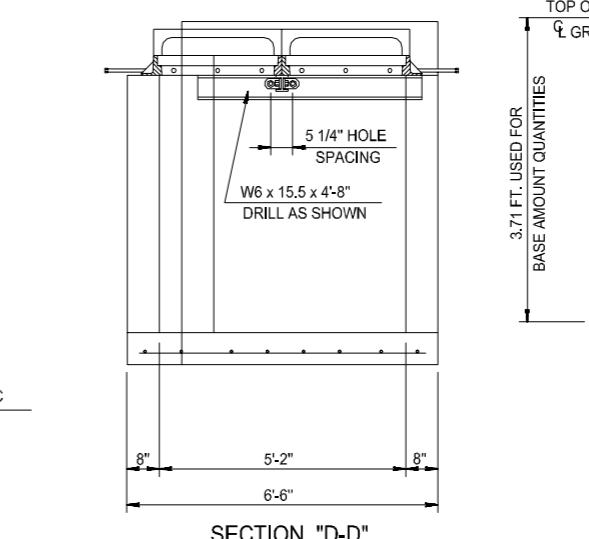
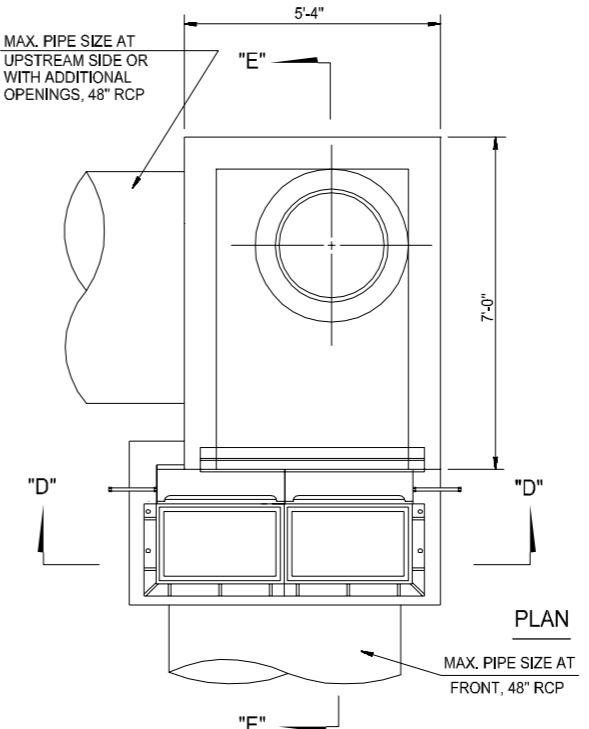
DETAIL ADD'L. CURB OPENING

ANGLE IRON LENGTHS	
OPENING	LENGTH
"A"	2'-5 3/8"
"B"	5'-1 5/8"
"C"	7'-9 7/8"
"D"	10'-6 1/8"

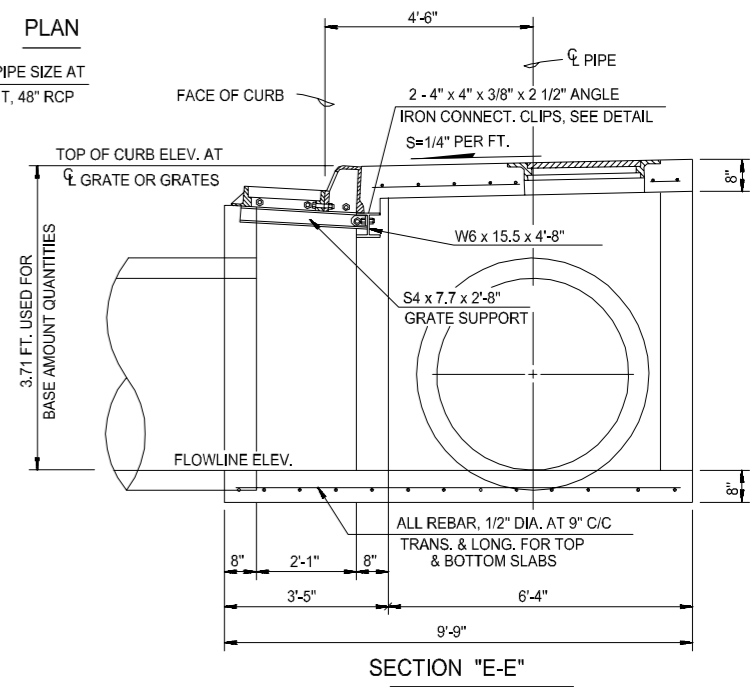


FRAME AND CURB DETAILS

C. I. CURB HEIGHTS		
TYPE	"a"	"b"
4" MOUNTABLE	4 1/2"	9 1/2"
6" MOUNTABLE	6 1/2"	11 1/2"
6" BARRIER	6 1/2"	11 1/2"
8" BARRIER	8 1/2"	13 1/2"



SECTION "D-D"



SECTION "E-E"

DOUBLE GRATE CURB INLET WITH JUNCTION BOX
(DESIGN 2 WITH LARGE JUNCTION BOX SHOWN)

BASIS OF PAYMENT		
ITEM NO.	ITEM	UNIT
611.06	(#) INLET W/SMALL JUNCTION BOX	EACH
611.06	(#) INLET W/LARGE JUNCTION BOX	EACH
611.06	(#) INLET W/SMALL JUNCTION BOX (ADD'L DEPTH)	VERT. FT.
611.06	(#) INLET W/LARGE JUNCTION BOX (ADD'L DEPTH)	VERT. FT.
611.06	(#) INLET FRAME AND GRATE	EACH
611.06	(#) MANHOLE FRAME AND COVER	EACH
611.06	(#) CAST IRON CURB INLETS	EACH

INLET DESIGN NO. (FULL DESCRIPTION) SHALL BE SPECIFIED, I.E., DESIGN 2(2B)
 INLET DESIGN NO. SHALL BE SPECIFIED, I.E., DESIGN 1 or DESIGN 2
 18" THRU 30" LONGITUDINAL PIPE REQUIRES SMALL JUNCTION BOX
 36" THRU 48" LONGITUDINAL PIPE REQUIRES LARGE JUNCTION BOX

DESIGN	Tt	OKLAHOMA DEPARTMENT OF TRANSPORTATION
DRAWN	Tt	
CHECKED	Tt	
APPROVED	DNP	
SQUAD	Tt	

STANDARD DETAILS
CICI - JUNCTION BOXES

STATE JOB NO. 17020(05) SHEET NO. 36
 CITY PROJECT R-1311A GARFIELD COUNTY

5/1/2017 10:54:19 AM - P:\2771\21\313\2771-2-300\CAD\SHSHEET\DETAILS.DWG - SCHUMACHER, MIKE